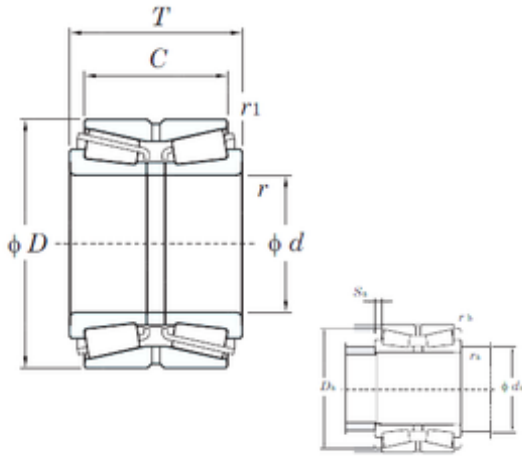




# RAD Power Machinery Co., Ltd.



## KOYO 46T32322JR/142 tapered roller bearings

Bearing No. 46T32322JR/142

46T32322JR/142 Bearing 2D drawings and 3D CAD models

Size	110x240x181 mm
Bore Diameter	110 mm
Outer Diameter	240 mm
Width	181 mm
d	110 mm
D	240 mm
T	181 mm
C	142 mm
r min.	3 mm
r1 min.	1 mm
da min.	128 mm
Da min	222 mm
ra max.	3 mm
rb max.	1 mm
Weight	37,3 Kg
Basic dynamic load rating (C)	1190 kN
Basic static load rating (C0)	1890 kN
(Grease) Lubrication Speed	1300 r/min
(Oil) Lubrication Speed	1700 r/min
Calculation factor (e)	0,35
Calculation factor (Y0)	1,91
Bearing No.	46T32322JR/142
r(min)	3
r1(min)	1
Cr	1480
C0r	1890



## RAD Power Machinery Co., Ltd.

Cu	115
Grease lub.	1300
Oil lub.	1700
da(min)	128
Da(min)	234
Sa(min)	19.5
ra(max)	3
rb(max)	1
e	0.35
Y2	1.96
Y3	2.91
Y0	1.91
(Refer.)Mass(kg)	37.3