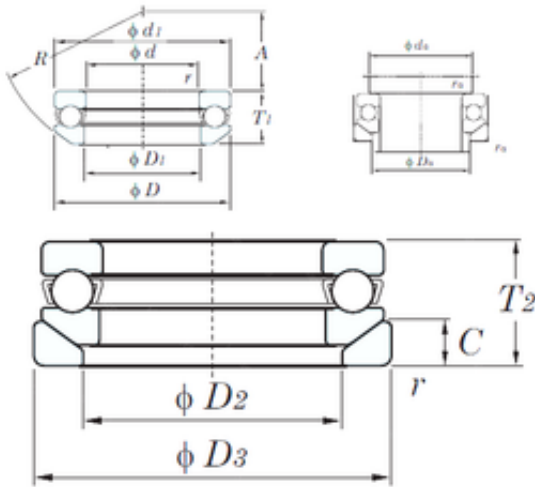




RAD Power Machinery Co., Ltd.

KOYO 53405U thrust ball bearings

Bearing No. 53405U



53405U Bearing 2D drawings and 3D CAD models

Size	25x60x26.4 mm
Bore Diameter	25 mm
Outer Diameter	60 mm
Width	26,4 mm
d	25 mm
D	60 mm
T1	26,4 mm
T2	29 mm
d1	60 mm
r min.	1 mm
A	19 mm
C	8 mm
D1	27 mm
D2	42 mm
D3	62 mm
R	50 mm
da min.	46 mm
Da max.	39 mm
ra max.	1 mm
Weight	0,442 Kg
Basic dynamic load rating (C)	55,6 kN
Basic static load rating (C0)	89,4 kN
(Grease) Lubrication Speed	2600 r/min
Bearing No.	53405U
T	29
r(min)	1



RAD Power Machinery Co., Ltd.

Ca	69.5
Coa	89.4
Cu	4.05
Grease lub.	2600
Oil lub.	4000
d1(max)	60
D1(min)	27
D2(min)	42
D3(min)	62
da(min)	46
Da(max)	39
ra(max)	1
(Refer.)Mass(kg)	0.442