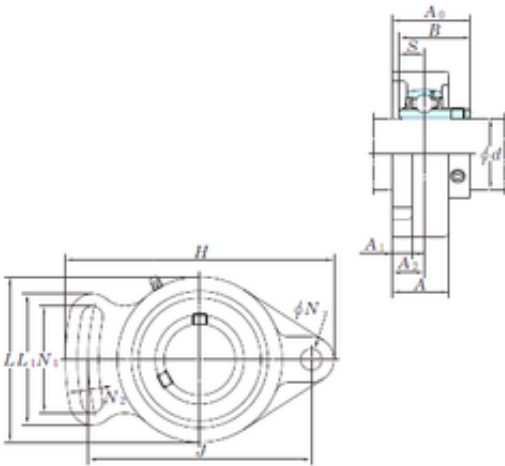




RAD Power Machinery Co., Ltd.

KOYO UCFA205-15 bearing units

Bearing No. UCFA205-15



UCFA205-15 Bearing 2D drawings and 3D CAD models

Bore Diameter	23,8125 mm
d	23,8125 mm
A0	35,8 mm
A	27 mm
A1	13 mm
B	34,1 mm
H	124 mm
J	98 mm
L	70 mm
L1	64 mm
N	11 mm
N1	49 mm
S	14,3 mm
Bolt (G)	M10
A2	16 mm
N2	11 mm
Weight	0,68 Kg
Basic dynamic load rating (C)	14 kN
Basic static load rating (C0)	7,85 kN