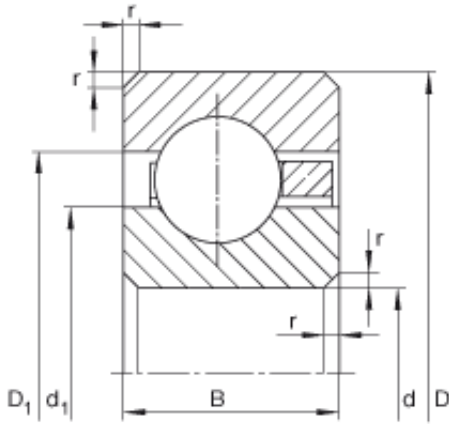




RAD Power Machinery Co., Ltd.

INA CSCD140 deep groove ball bearings

Bearing No. CSCD140



CSCD140 Bearing 2D drawings and 3D CAD models

Size	355.6x381x12.7 mm
Bore Diameter	355,6 mm
Outer Diameter	381 mm
Width	12,7 mm
d	355,6 mm
d	14 inch
D	381 mm
B	12,7 mm
D ₁	371,6 mm
d ₁	365 mm
r _{min}	1,5 mm
m	1,24 kg / Weight
C _r	18100 N / Dynamic load rating (radial)
C _{0r}	40500 N / Static load rating (radial)