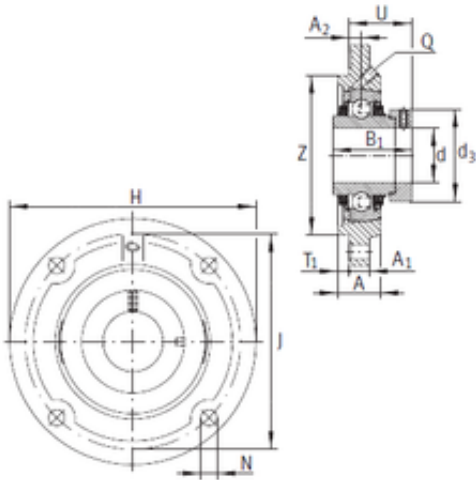




RAD Power Machinery Co., Ltd.



TFE60 Bearing 2D drawings and 3D CAD models

INA TFE60 bearing units

Bearing No. TFE60

Bore Diameter	60 mm
d	60 mm
U	63,8 mm
Thread (Q)	Rp1/8
T1	4 mm
Z	140 mm
d3	84 mm
A	33 mm
A1	16 mm
B1	77,9 mm
H	195 mm
J	165 mm
N	14 mm
A2	17 mm
Weight	3,99 Kg
Basic dynamic load rating (C)	52 kN
Category	Bearings
Inventory	0.0
Manufacturer Name	SCHAEFFLER GROUP
Minimum Buy Quantity	N/A
Weight / Kilogram	4.22
Product Group	M06110