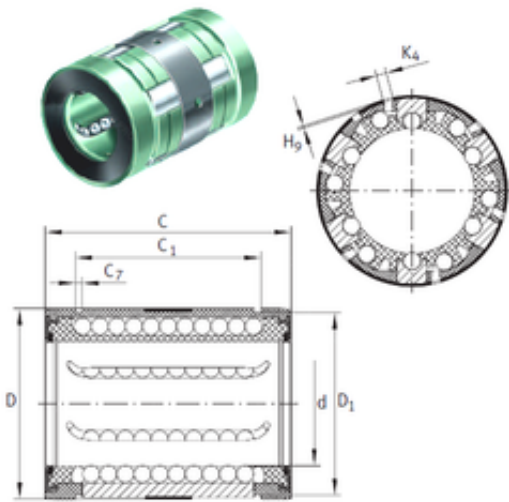




RAD Power Machinery Co., Ltd.

INA KN20-B linear bearings



Bearing No. KN20-B

Size	20x32x45 mm
Bore Diameter	20 mm
Outer Diameter	32 mm
Width	45 mm
d	20 mm
D	32 mm
C	45 mm
C7	1,6 mm
H9	0,9 mm
K4	3 mm
b1	2,5 mm
C1	31,2 mm
D1	30,7 mm

KN20-B Bearing 2D drawings and 3D CAD models