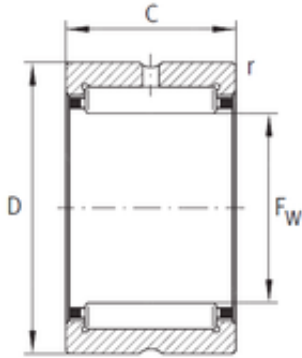




RAD Power Machinery Co., Ltd.

INA NKS32-XL needle roller bearings



NKS32-XL Bearing 2D drawings and 3D CAD models

Bearing No. NKS32-XL

Size	32x47x22 mm
Bore Diameter	32 mm
Outer Diameter	47 mm
Width	22 mm
F _w	32 mm
D	47 mm
C	22 mm
r min.	0,6 mm
Weight	0,11 Kg
Basic dynamic load rating (C)	38 kN
Basic static load rating (C ₀)	43,5 kN
Fatigue load limit (P _u)	7,4
Reference speed	9 500 r/min