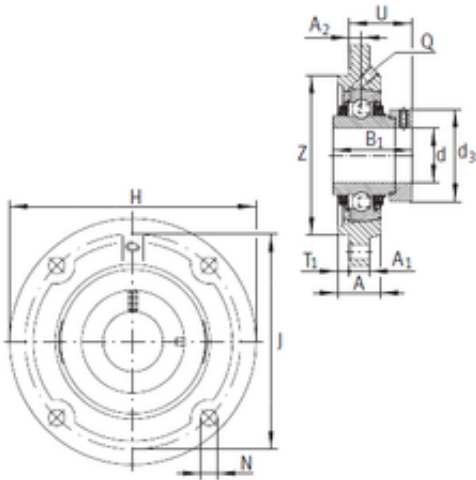




RAD Power Machinery Co., Ltd.



TFE40 Bearing 2D drawings and 3D CAD models

INA TFE40 bearing units

Bearing No. TFE40

Bore Diameter	40 mm
d	40 mm
U	46,4 mm
Thread (Q)	Rp1/8
T1	4 mm
Z	100 mm
d3	58 mm
A	26 mm
A1	11,5 mm
B1	56,5 mm
H	145 mm
J	120 mm
N	11,5 mm
A2	11,5 mm
Weight	1,72 Kg
Basic dynamic load rating (C)	32,5 kN
Category	Bearings
Inventory	0.0
Manufacturer Name	SCHAEFFLER GROUP
Minimum Buy Quantity	N/A
Weight / Kilogram	1.71
Product Group	M06110