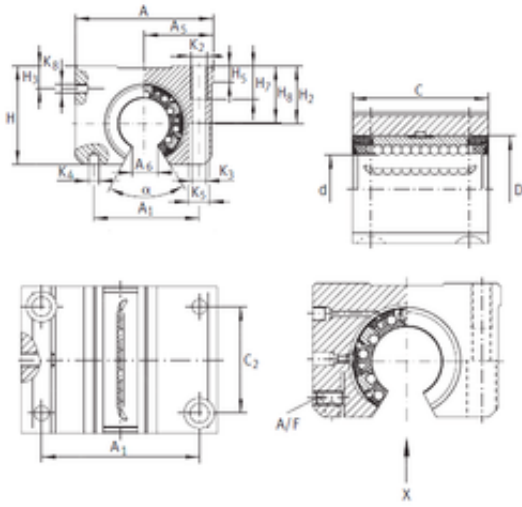




RAD Power Machinery Co., Ltd.

INA KGNOS 40 C-PP-AS linear bearings

Bearing No. KGNOS 40 C-PP-AS



KGNOS 40 C-PP-AS Bearing 2D drawings and 3D CAD models

Bore Diameter	40 mm
Outer Diameter	62 mm
d	40 mm
D	62 mm
A6	19 mm
A/F	4 mm
H5	12 mm
H7	26 mm
H8	44 mm
K3	10,5 mm
K4	8 mm
K5	18 mm
Thread (K2)	M12
Thread (K8)	M8X1
H3	17,5 mm
A5	54 mm
Angle (?)	56 °
A	108 mm
A1	86 mm
C	80 mm
H	77 mm
H2	45 mm
C2	58 mm
Weight	1,4 Kg