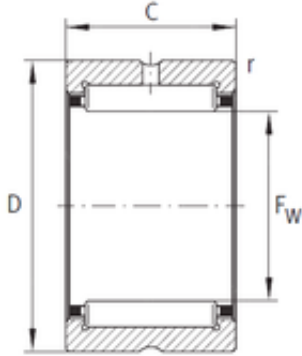




RAD Power Machinery Co., Ltd.

INA NK30/20-TN-XL needle roller bearings



NK30/20-TN-XL Bearing 2D drawings and 3D CAD models

Bearing No. NK30/20-TN-XL

Size	30x40x20 mm
Bore Diameter	30 mm
Outer Diameter	40 mm
Width	20 mm
F _w	30 mm
D	40 mm
C	20 mm
r min.	0,3 mm
Weight	0,061 Kg
Basic dynamic load rating (C)	28 kN
Basic static load rating (C ₀)	41 kN
Fatigue load limit (P _u)	7,2
Reference speed	10 000 r/min